

ARKIN



AUDIO VISUAL

# Mounting Solutions and Accessories

# ARKIN

## Welcome to Arkin, your trusted companion in the world of Audio-Visual mounting solutions and accessories.

At Arkin, we understand the significance of seamlessly integrating technology into your space, and we are proud to present a diverse range of products designed to enhance your AV experience.



### TV Mounting Brackets

Discover a new dimension of versatility with our TV mounting brackets tailored for panel sizes ranging from 32" to 105". Whether you prefer a Fixed, Tilt, Full Motion, Portrait, or a Pop Out Video Wall setup, our slim-profile designs deliver both style and substance.

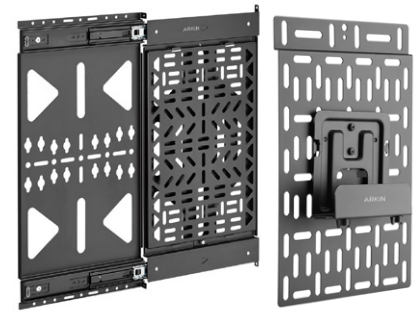
Quick and easy installation, sturdy steel construction, VESA compatibility, and an anti-theft locking design (model dependent) are just a few features that set Arkin apart in the realm of AV mounting solutions.



### TV Trolleys

Take your display anywhere with Arkin's range of heavy-duty TV trolleys, designed for education, corporate, and event environments. Supporting screen sizes from 32" to 110" and weight capacities up to 145kg, these trolleys combine strength, stability, and style.

With adjustable height settings, smooth lockable castor wheels, and some models with integrated shelves for equipment and cameras, Arkin TV trolleys make it easy to create the perfect viewing or conferencing setup in any space.



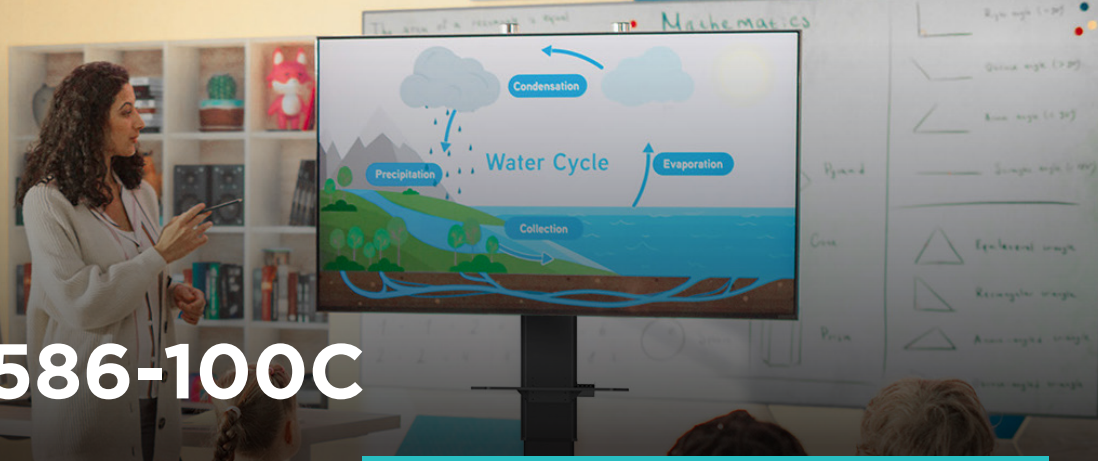
### AV Panels

Streamline your AV installations with the Arkin AV Panels, a smart, space-saving solution for mounting media players, video conferencing systems, splitters, and more behind your display. Keep essential AV components concealed yet easily accessible, helping you maintain a clean and professional setup.

Built for durability and easy installation, the Arkin AV Panels are ideal for commercial, education, and corporate environments where performance and presentation matter.

Arkin is not just a brand; it's a commitment to elevating your audio-visual encounters. Embrace the future of technology with Arkin – *where precision meets elegance in every product we offer.*

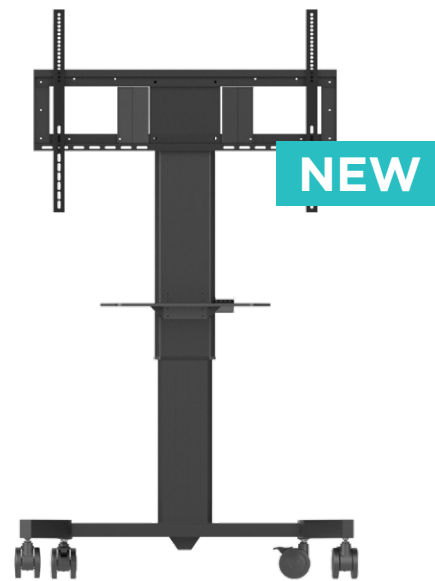
# Arkin AR-TR-5586-100C



## Arkin Electric Height Adjust TV Trolley for 55" to 86" Screens, Max 100kg, VESA 800x600mm, Centre Column

Bring flexibility and intelligent control to your display setups with the Arkin Electric Height Adjustable Trolley, designed for modern education environments, corporate offices, training spaces, and collaborative meeting rooms.

Supporting screens from 55" to 86" and up to 100kg, this electric trolley features a VESA range of 200x200 to 800x600 for wide compatibility. The robust centre column design, extra-wide base, and commercial-grade casters ensure safe, smooth mobility between rooms while maintaining a clean, professional setup.



- Electric height adjustment allows effortless positioning for optimal viewing.
- Supports large displays up to 100kg with reliable, heavy-duty performance.
- Dual control options with wired controller and on-screen Android APK integration.
- Anti-collision function detects obstacles to prevent damage during movement.
- Includes steel equipment shelf (10kg) for laptops or AV equipment.
- Rubberised wheels provide smooth movement and lock securely for stability.
- Quick assembly with all mounting hardware included.
- Backed by Arkin's trusted 3-year manufacturer's warranty.

<b>Product Category:</b>	Electric Mobile Stand
<b>Colour:</b>	Black
<b>Fit Screen Size:</b>	55" to 86"
<b>Mounting Hole Pattern:</b>	VESA
<b>Min VESA Mounting Hole:</b>	200x200mm
<b>Max VESA Mounting Hole:</b>	800x600mm
<b>Weight Capacity:</b>	100kg
<b>Height Adjustment:</b>	500mm

<b>Shelf Load Capacity:</b>	10kg
<b>Movement:</b>	360°
<b>Controller Functions:</b>	Wired, on screen and built in buttons
<b>Anti Collision Function:</b>	Yes
<b>Castors:</b>	100mm rubberised
<b>Warranty:</b>	3 Years

# Arkin AR-TR-5586-100D

## Arkin Electric Height Adjust TV Trolley for 55" to 86" Screens, Max 100kg, VESA 800x600mm, Dual Column

Enhance stability and performance in large display environments with the Arkin Electric Height Adjustable Dual Column Trolley, purpose-built for education, corporate, and professional presentation spaces.

Supporting screens from 55" to 86" and up to 100kg, this electric trolley features a VESA range of 200x200 to 800x600 for broad compatibility. The dual column design delivers increased stability for heavier displays, while the extra-wide base and commercial-grade casters ensure smooth, secure mobility across spaces.



- Electric height adjustment for precise and effortless screen positioning.
- Dual column design provides enhanced stability for larger displays.
- Supports screens up to 100kg with dependable performance.
- Dual control options with wired controller and on-screen Android APK integration.
- Anti-collision function helps prevent damage during operation.
- Rubberised wheels ensure smooth movement and lock securely in place.
- Fast and simple installation with included mounting hardware.
- Backed by Arkin's trusted 3-year manufacturer's warranty.

<b>Product Category:</b>	Electric Mobile Stand
<b>Colour:</b>	Black
<b>Fit Screen Size:</b>	55" to 86"
<b>Mounting Hole Pattern:</b>	VESA
<b>Min VESA Mounting Hole:</b>	200x200mm
<b>Max VESA Mounting Hole:</b>	800x600mm
<b>Weight Capacity:</b>	100kg

<b>Height Adjustment:</b>	650mm
<b>Movement:</b>	360°
<b>Controller Functions:</b>	Wired and on screen
<b>Anti Collision Function:</b>	Yes
<b>Castors:</b>	100mm rubberised
<b>Warranty:</b>	3 Years

# Arkin

## AR-TR-65110-145



### Arkin Manual Height Adjustable Heavy Duty Trolley, 65” to 110”, Max 145kg, VESA 200x200 to 1000x600

Bring flexibility and mobility to your large-format display installations with the Arkin Manual Height Adjustable Trolley, designed for education environments, corporate offices, training spaces, and event venues.

Supporting screens from 65” to 110” and up to 145kg, this heavy-duty trolley features a VESA range of 200x200 to 1000x600 for broad compatibility. The robust aluminium columns, extra-wide base, and commercial-grade casters ensure safe, smooth transport between rooms or venues, even with oversized screens.



- Adjustable height from 1315mm to 1765mm for the best viewing position.
- Handles large displays up to 145kg with heavy-duty support.
- Includes steel equipment shelf (10kg) and camera mount for conferencing.
- Rubberised wheels provide smooth movement and lock securely for stability.
- Compact, demountable frame is ideal for events, roadshows, and shared spaces.
- Quick assembly with all mounting hardware included.
- Backed by Arkin’s trusted 5-year manufacturer’s warranty for peace of mind in every project.

<b>Product Category:</b>	Manual Height Adjustable TV Trolley
<b>Material:</b>	Steel
<b>Colour:</b>	Matte Black
<b>Fit Screen Size:</b>	65” to 110”
<b>Mounting Hole Pattern:</b>	VESA
<b>Min VESA Mounting Hole:</b>	200x200
<b>Max VESA Mounting Hole:</b>	1000x600

<b>Weight Capacity:</b>	90kg
<b>Height Adjustment:</b>	1315mm – 1765mm
<b>Shelf Load Capacity:</b>	10kg
<b>Movement:</b>	360°
<b>Cable Management:</b>	Yes
<b>Warranty:</b>	5 Years



# Arkin AR-TR-5590-90

## Arkin Manual Height Adjustable TV Trolley, 55” to 90”, Max 90kg, VESA 200x200 to 800x600

The Arkin AR-TR-5590-90 is a heavy-duty, commercial-grade mobile TV trolley designed for the demands of education and corporate environments. Built to handle large displays from 55” to 90” and up to 90kg, it’s the ideal solution for classrooms, lecture theatres, meeting rooms, training spaces, and event venues.

Whether it’s delivering engaging lessons in a school, hosting hybrid meetings in a corporate boardroom, or providing display flexibility at exhibitions, the Arkin AR-TR-5590-90 offers a professional, reliable, and portable display solution.



- Supports VESA patterns from 200x200 to 800x600 for wide display compatibility.
- Smooth rubberised castor wheels allow quick and safe movement between rooms.
- Adjustable height from 1083mm to 1591mm for optimal viewing.
- Includes steel equipment shelf (5kg) and camera mount for video conferencing.
- Commercial-grade steel frame with wide-leg base ensures stability.
- Quick and easy to assemble with included mounting hardware.
- Backed by a 5-year Arkin manufacturer’s warranty.

<b>Product Category:</b>	Manual Height Adjustable TV Trolley
<b>Material:</b>	Steel
<b>Colour:</b>	Matte Black
<b>Fit Screen Size:</b>	55” to 90”
<b>Mounting Hole Pattern:</b>	VESA
<b>Min VESA Mounting Hole:</b>	200x200
<b>Max VESA Mounting Hole:</b>	800x600

<b>Weight Capacity:</b>	90kg
<b>Height Adjustment:</b>	1083mm – 1591mm
<b>Shelf Load Capacity:</b>	5kg
<b>Movement:</b>	360°
<b>Cable Management:</b>	Yes
<b>Warranty:</b>	5 Years

# Arkin

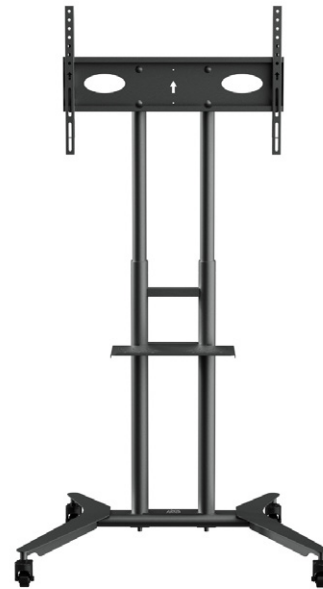
## AR-TR-3275-60



### Arkin Manual Height Adjustable Trolley, 32" to 75", Max 60kg, VESA 200x200 to 600x400

The Arkin Manual Height Adjustable Trolley is a versatile, mobile AV solution designed to meet the needs of schools, universities, corporate offices, and event spaces. This trolley is perfect for interactive displays, presentation panels, and digital signage.

Its smooth-rolling rubberised wheels make repositioning easy and silent, while the compact, demountable design ensures quick assembly, transport, and storage — ideal for multi-room use or event deployments.



- Manual height adjustment for optimal viewing in classrooms, meeting rooms, or open collab areas.
- Steel equipment shelf (5kg capacity) for laptops, media players, or controllers.
- Protective soft inserts safeguard your display from scratches during installation and transport.
- Includes mounting hardware and intuitive design features to speed up onsite installs.
- Durable steel construction ensures long-term reliability in busy or public environments.
- Backed by Arkin's trusted 5-year manufacturer's warranty for peace of mind in every project.

<b>Product Category:</b>	Manual Height Adjustable TV Trolley
<b>Material:</b>	Steel
<b>Colour:</b>	Matte Black
<b>Fit Screen Size:</b>	32" to 75"
<b>Mounting Hole Pattern:</b>	VESA
<b>Min VESA Mounting Hole:</b>	200x200
<b>Max VESA Mounting Hole:</b>	600x400
<b>Weight Capacity:</b>	60kg

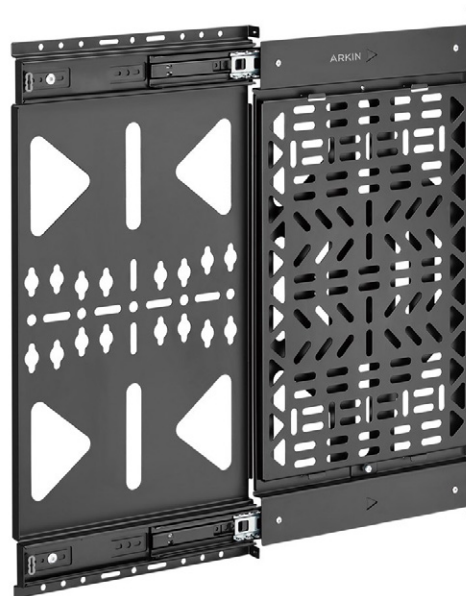
<b>Height Adjustment:</b>	1065mm – 1493mm
<b>Shelf Load Capacity:</b>	5kg
<b>Movement:</b>	360°
<b>Cable Management:</b>	Yes
<b>Warranty:</b>	5 Years

# Arkin AR-AV-PANEL

## Sliding AV Storage Panel for Media Players, Mini PCs & More – Wall-Mounted, 10kg Capacity

Streamline your AV installations with the Arkin AV Sliding Panel (AR-AV-PANEL), a smart, space-saving solution for mounting media players, video conferencing systems, splitters, and more behind your display. This slide-out panel keeps essential AV components concealed yet easily accessible, helping you maintain a clean and professional setup.

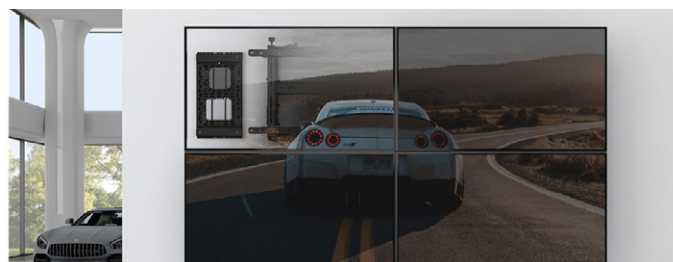
Engineered for flexibility and durability, this wall-mounted panel supports up to 10kg and features a secure, foldable slide-out design for convenient access during maintenance or upgrades.



- Perfect for mini PCs, digital signage players, NUCs, and other AV equipment – all neatly hidden behind your screen
- Slide-out, folding mechanism provides easy access while keeping devices out of sight.
- Universal compatibility with adjustable mounting to suit most AV components
- Secure tie-down system keeps your devices firmly in place, even in high-traffic areas with a wide range of panels.

<b>Product Category:</b>	Media Player Mount
<b>Material:</b>	Steel
<b>Surface Finish:</b>	Powder Coated
<b>Colour:</b>	Matte Black
<b>Dimensions:</b>	608 x 23 x 582mm
<b>Weight Capacity:</b>	10kg

<b>Installation:</b>	Wall Mounted
<b>Accessory Kit:</b>	Included (Normal/Ziplock Polybag)
<b>Instruction Manual:</b>	Included
<b>Warranty:</b>	5 Years



# Arkin AR-AV-MOUNTMINI

## Mini Media Player Mount for Streaming Devices & AV Gear – Wall-Mounted with Cable Management

Compact, clean, and built for commercial use, the Arkin AR-AV-MOUNTMINI is a low-profile wall mount designed to house small AV devices such as media players, streaming boxes, and control systems. Ideal for installations beneath wall-mounted displays in boardrooms, classrooms, hospitality spaces, and digital signage applications, this mount offers a tidy and accessible solution that keeps your setups looking sharp.



- Perfect for Apple TV®, streaming boxes, small decoders, and compact media players
- Built-in cable management keeps wiring neat, hidden, and organised

- Simple and flexible installation with a compact wall plate and included mounting hardware
- Durable design for commercial environments with a 5-year manufacturer's warranty

<b>Product Category:</b>	Media Player Mount
<b>Material:</b>	Steel
<b>Surface Finish:</b>	Powder Coated
<b>Colour:</b>	Matte Black
<b>Dimensions:</b>	342 x 224 x 57mm (86mm deep with mount holder installed)

<b>Weight Capacity:</b>	5kg
<b>Installation:</b>	Wall Mounted, VESA Compatible, TV Bracket Mounted
<b>Accessory Kit:</b>	Included (Normal/Ziplock Polybag)
<b>Warranty:</b>	5 Years



# Arkin AR-55105-80-T

## Arkin Anti-Theft Heavy Duty Extend Out Tilt TV Wall Mount 55” to 105”, up to 80kg

The Arkin AR-55105-80-T is a heavy-duty tilting TV wall mount, purpose-built for larger displays and commercial-grade installations. Supporting screens from 55” to 105” and up to 80kg, it's the go-to solution for AV integrators working on large-scale fit outs across corporate, hospitality, education, and public spaces.

Designed with installer efficiency and end-user safety in mind, this tilt mount combines strength, precision, and security in one professional-grade package.



- Anti-theft locking keeps displays secure in public or unattended spaces (padlock not included).
- Tool-free tilt from 0° to -10° reduces glare and improves viewing angles.
- Reinforced steel frame provides maximum strength for heavy-duty commercial use.
- Installer-friendly design includes full hardware and a quick-release latch for easy setup.
- Magnetic strap ends keep release straps neatly out of sight.

<b>Product Category:</b>	Tilt TV Wall Mount
<b>Material:</b>	Steel
<b>Metal Sheet Thickness:</b>	Bracket Arm 2mm cold-rolled Wall Plate 2mm cold-rolled
<b>Surface Finish:</b>	Powder Coated
<b>Colour:</b>	Matte Black
<b>Dimensions:</b>	172 x 1070 x 625mm
<b>Fit Screen Size:</b>	55” to 105”
<b>Mounting Hole Pattern:</b>	VESA & Universal
<b>Profile:</b>	53-172mm
<b>Tilt Range:</b>	+10°~-15°
<b>Swivel Range:</b>	+10°~-10°

<b>VESA Compatible:</b>	200x200	300x200	300x300
	400x200	400x300	400x400
	600x400	600x600	800x400
	800x600	900x600	1000x600
<b>Screen Level:</b>	30mm		
<b>Weight Capacity:</b>	80kg		
<b>Installation:</b>	Solid Wall, Double Stud (406mm/450mm/600mm)		
<b>Panel Type:</b>	Detachable Panel		
<b>Wall Plate Type:</b>	Fixed Wall Plate		
<b>Cable Management:</b>	No		
<b>Anti-theft:</b>	Yes		
<b>Bubble Level:</b>	Hook-on Bubble Level		

# Arkin

## AR-4390-60-M

### Stylish Full-Motion TV Wall Mount for 43" to 90" TV's up to 60kg, 63 to 536mm profile

Upgrade your viewing experience with the Arkin Modern Design Full Motion TV Mount, designed to accommodate TVs from 43" to 90" and weighing up to 60kg. This mount combines robust construction with thoughtful details for a seamless installation and optimal positioning.

Swivels and adjusts easily for maximum viewing comfort. Mounts don't have to be cheap or mundane – stand out from the competition by offering your customers a fantastic mounting experience with the AR-4390-60-M.



- Free tilting & Swivelling Design: for multiple TV viewing angles
- Extending Arm: provides a wide range of viewing angles
- Decorative Covers: for a more elegant look
- Built-In Level Adjustment: ensures perfect positioning
- Folding Design: saves space (keeping the screen and arm out of the way when not in use)
- Cable Management: keeps everything organised

<b>Product Category:</b>	Full Motion TV Wall Mount
<b>Material:</b>	Steel, Plastic
<b>Metal Sheet Thickness:</b>	Bracket Arm 1.5mm cold-rolled sheet Wall Plate 2.5mm pickling sheet VESA Panel THK=1.8mm cold-rolled sheet
<b>Surface Finish:</b>	Powder Coated
<b>Colour:</b>	Matte Black
<b>Dimensions:</b>	536 x 862 x 430mm
<b>Fit Screen Size:</b>	43" to 90"
<b>Mounting Hole Pattern:</b>	VESA & Universal
<b>Max. Mounting Hole:</b>	800x400

<b>VESA Compatible:</b>	200x100	200x200	300x200
	400x200	300x300	400x300
	400x400	600x400	800x400
<b>Weight Capacity:</b>	60kg		
<b>Profile:</b>	63 - 536mm		
<b>Installation:</b>	Solid Wall, Double Stud		
<b>Tilt Range:</b>	+5°~10°		
<b>Swivel Range:</b>	+60°~60°		
<b>Panel Type:</b>	Detachable Panel		
<b>Wall Plate Type:</b>	Lateral Shift Wall Plate		
<b>Cable Management:</b>	Yes		
<b>Anti-theft:</b>	No		

# Arkin AR-4390-80-F



## Anti-Theft Wall Mount for 43" to 90" TV's up to 80kg, Slim Design 24mm, Fixed

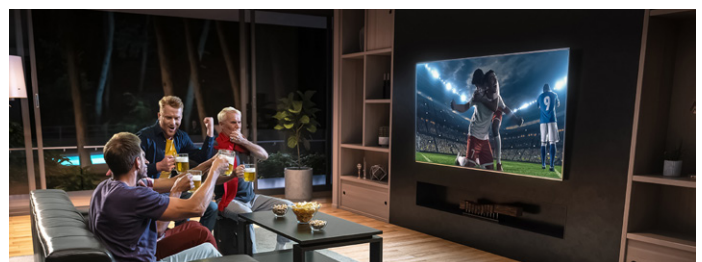
Easy to use and install, the super solid model AR-4390-80-F is designed to fit most 43" to 90" curved & flat panel TVs up to 80kg & VESA patterns up to 800x400mm.

- Post installation leveling adjustment ensures TVs are always perfectly positioned.
- Open architecture provides superior ventilation and easy access for wiring.
- Plus, the locking bar firmly secures TVs (require a padlock).



<b>Product Category:</b>	Fixed TV Wall Mount
<b>Material:</b>	Steel
<b>Metal Sheet Thickness:</b>	2mm cold rolled steel
<b>Surface Finish:</b>	Powder Coated
<b>Colour:</b>	Black
<b>Dimensions:</b>	948 x 440 x 24mm
<b>Fit Screen Size:</b>	43" to 90"
<b>Fit Curved TV:</b>	Yes
<b>Mounting Hole Pattern:</b>	VESA & Universal
<b>Max. Mounting Hole:</b>	800x400

<b>VESA Compatible:</b>	200x200	300x200	400x200
	300x300	2400x300	400x400
	600x400	800x400	
<b>Weight Capacity:</b>	80kg		
<b>Profile:</b>	24mm		
<b>Installation:</b>	Solid Wall, Double Stud (406mm/450mm/600mm)		
<b>Panel Type:</b>	Detachable Panel		
<b>Wall Plate Type:</b>	Fixed Wall Plate		
<b>Cable Management:</b>	No		
<b>Anti-theft:</b>	Yes (Padlock Not Included)		



# Arkin AR-4390-80-T



## Anti-Theft Wall Mount for 43" to 90" TV's up to 80kg, Slim Design 56mm, Tilt

Easy to use and install, the super solid model AR-4390-80-T is designed to fit most 43" to 90" curved & flat panel TVs up to 80kg & VESA patterns up to 800x400mm.

- **Heavy-Duty Steel Construction:** provides extra strength and durability
- **Free-Tilting Design:** makes easy forward or backward adjustment for better viewing and reduced glare
- **Anti-Theft Locking Bar:** for additional security preventing any unwanted removal (extra padlock required)
- **Easy Assembly:** Installation is as easy as 1-2-3
- **Open Architecture:** provides increased ventilation and easier access to wires



<b>Product Category:</b>	Tilt TV Wall Mount
<b>Material:</b>	Steel
<b>Metal Sheet Thickness:</b>	Cold rolled steel <ul style="list-style-type: none"> <li>• Bracket Arm = 1.5mm</li> <li>• Bracket Feet = 2mm</li> <li>• Wall Plate = 2mm</li> </ul>
<b>Surface Finish:</b>	Powder Coated
<b>Colour:</b>	Black
<b>Dimensions:</b>	948 x 440 x 56mm
<b>Fit Screen Size:</b>	43" to 90"
<b>Fit Curved TV:</b>	Yes
<b>Mounting Hole Pattern:</b>	VESA & Universal
<b>Max. Mounting Hole:</b>	800x400

<b>VESA Compatible:</b>	200x200	300x200	400x200
	300x300	400x300	400x400
	300x300	800x400	
<b>Weight Capacity:</b>	80kg		
<b>Profile:</b>	56mm		
<b>Installation:</b>	Solid Wall, Double Stud (406mm/450mm/600mm)		
<b>Tilt Range:</b>	+5°~10°		
<b>Screen Freely Tilting:</b>	Yes		
<b>Panel Type:</b>	Detachable Panel		
<b>Wall Plate Type:</b>	Fixed Wall Plate		
<b>Cable Management:</b>	No		
<b>Anti-theft:</b>	Yes (Padlock not included)		

# Arkin

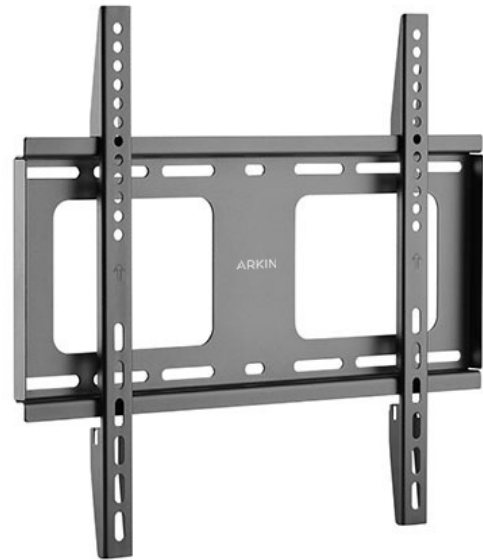
## AR-3255-80-F



### Fixed Wall Mount for 32" to 55" Displays up to 80kg – Ultra-Slim Profile, Commercial-Grade

The Arkin AR-3255-80-F is a low-profile, fixed-position TV wall mount designed for AV integrators who value simplicity, strength, and a clean, professional finish. Ideal for commercial spaces where screen security and sleek aesthetics are priorities—such as offices, hospitality, retail, and education environments.

Engineered to support 32" to 55" displays up to 80kg, the AR-3255-80-F delivers a reliable, no-fuss mounting solution that integrates seamlessly into any fit-out.



- Ultra-slim 22mm depth keeps displays close to the wall for a sleek, modern appearance
- Supports VESA patterns from 200x200 to 400x400, covering a wide range of display models
- Quick and easy installation with included hardware and user-friendly design
- Heavy-duty steel construction built to withstand high-traffic commercial environments
- Backed by a 10-year manufacturer's warranty for long-term peace of mind

<b>Product Category:</b>	Fixed TV Wall Mount
<b>Material:</b>	Steel
<b>Metal Sheet Thickness:</b>	Bracket Arm 1.5mm cold-rolled steel Wall Plate 2mm cold-rolled steel
<b>Surface Finish:</b>	Powder Coated
<b>Colour:</b>	Matte Black
<b>Dimensions:</b>	500 x 225 x 22mm
<b>Fit Screen Size:</b>	32" to 55"
<b>Mounting Hole Pattern:</b>	VESA & Universal
<b>Max. Mounting Hole:</b>	400x400
<b>Weight Capacity:</b>	80kg

<b>VESA Compatible:</b>	200x200	300x300
	400x200	400x400
<b>Profile:</b>	22mm	
<b>Installation:</b>	Solid Wall, Double Stud (406mm/450mm)	
<b>Panel Type:</b>	Detachable Panel	
<b>Wall Plate Type:</b>	Fixed Wall Plate	
<b>Cable Management:</b>	No	
<b>Anti-theft:</b>	No	
<b>Bubble Level:</b>	No	
<b>Warranty:</b>	10 Years	

# Arkin

## AR-3255-80-T

### Anti-Theft Tilting Wall Mount for 32" to 55" Displays up to 80kg – Commercial Grade

The Arkin AR-3255-80-T is a commercial-grade anti-theft tilting wall mount, designed for AV professionals who demand durability, clean aesthetics, and secure installation in high-traffic environments.

Supporting most 32" to 55" displays up to 80kg, this mount is perfect for applications across hospitality, education, corporate, and retail sectors where screen protection and reliable performance are essential.



- Built-in anti-theft locking mechanism (padlock required) protects displays in public or unattended areas
- Tilt adjustment from 0° to -8° allows for optimal screen positioning and glare reduction
- Mounts just 54mm from the wall, maintaining a clean, modern profile while allowing airflow
- Installer-friendly design with included mounting hardware for quick, efficient setup
- Backed by a 10-year manufacturer's warranty for long-term reliability and peace of mind

<b>Product Category:</b>	Tilt TV Wall Mount
<b>Material:</b>	Steel
<b>Metal Sheet Thickness:</b>	Bracket Arm 1.5mm cold-rolled steel Wall Plate 2mm cold-rolled steel
<b>Surface Finish:</b>	Powder Coated
<b>Colour:</b>	Matte Black
<b>Dimensions:</b>	500 x 225 x 53mm
<b>Fit Screen Size:</b>	32" to 55"
<b>Mounting Hole Pattern:</b>	VESA & Universal
<b>Max. Mounting Hole:</b>	400x400
<b>Weight Capacity:</b>	80kg

<b>VESA Compatible:</b>	200x200	300x300
	400x200	400x400
<b>Tilt Range:</b>	-10°~+5°	
<b>Profile:</b>	54mm	
<b>Installation:</b>	Solid Wall, Double Stud (406mm/450mm)	
<b>Panel Type:</b>	Detachable Panel	
<b>Wall Plate Type:</b>	Fixed Wall Plate	
<b>Cable Management:</b>	No	
<b>Anti-theft:</b>	Yes (Padlock not supplied)	
<b>Bubble Level:</b>	Hook-on Bubble Level	
<b>Warranty:</b>	10 Years	

# Arkin AR-3775-75-P

## Anti-Theft Digital Signage Wall Mount for 37" to 75" TV's up to 75kg, Portrait, Fixed

Elevate your digital display solutions with the Arkin AR-3775-75-P, a heavy-duty wall mount designed to enhance security and aesthetics for your 37" to 75" TVs, weighing up to 75kg. Ideal for portrait displays in public areas, this lockable mount ensures your screens stay exactly where they belong.

Rest easy knowing your valuable displays are safeguarded against unwanted removal. The integrated anti-theft locking hole provides an additional layer of security.

- Ultra-Slim Profile – Just 22mm from the wall for a clean, close-to-wall finish that blends into any environment.
- With its slim profile, the AR-3775-75-P positions your TV just 27mm from the wall, seamlessly complementing the sleek look of ultra-thin TVs.

- Thanks to the quick-release spring locks with pull straps, attaching your TVs to the wall is a breeze, saving you time and effort.
- This mount supports VESA mounting from 200x200 up to 400x600, making it compatible with a wide range of panels.



<b>Product Category:</b>	Fixed TV Wall Mount
<b>Material:</b>	Steel
<b>Metal Sheet Thickness:</b>	Bracket Arm 2mm cold-rolled sheet Wall Plate 1.5mm cold-rolled sheet
<b>Surface Finish:</b>	Powder Coated
<b>Colour:</b>	Matte Black
<b>Dimensions:</b>	448 x 625 x 27mm
<b>Fit Screen Size:</b>	37" to 75"
<b>Fit Curved TV:</b>	Yes
<b>Mounting Hole Pattern:</b>	VESA & Universal
<b>Max. Mounting Hole:</b>	400x600

<b>VESA Compatible:</b>	200x200	300x200	300x300
	400x200	400x300	400x400
	400x600		
<b>Weight Capacity:</b>	75kg		
<b>Profile:</b>	27mm		
<b>Installation:</b>	Solid Wall		
<b>Tilt Range:</b>	+3°~12°		
<b>Panel Type:</b>	Detachable Panel		
<b>Wall Plate Type:</b>	Fixed Wall Plate		
<b>Cable Management:</b>	No		
<b>Anti-theft:</b>	Yes		
<b>Bubble Level:</b>	Hook-on Bubble Level		



# Arkin AR-3770-45-VWALL

## Anti-Theft Pop Out Video Wall Mount for 37" to 70" TV's up to 45KG

Arkin pop out professional video wall mount designed to offer the ultimate in versatility and universal compatibility with load capacity of 45kg and max. VESA 800x400 hole pattern.

This mount extends out 202mm from wall by a press with pop-out function and places 60mm to wall when retracted with quick lock mechanism.

- **Pop-Out Extension:** provides quick access for installation and maintenance
- **Built-In Level Adjustment:** ensures perfect positioning
- **Anti-Theft Locking Hole:** for additional security preventing any unwanted removal (extra padlock required)
- **Lateral Shift Brackets:** enable width adjustment and fast alignment
- **Pop-Out Lock System:** ensures safety by reducing the possibility of accidental pop-outs



<b>Product Category:</b>	Video Wall Mount
<b>Material:</b>	Steel
<b>Metal Sheet Thickness:</b>	Cold rolled steel <ul style="list-style-type: none"> <li>• Wall Plate = 2mm</li> <li>• Bracket Arm = 2.5mm</li> </ul>
<b>Surface Finish:</b>	Powder Coated
<b>Colour:</b>	Fine Texture Black
<b>Dimensions:</b>	900 x 465 x 215mm
<b>Fit Screen Size:</b>	37" to 70"
<b>Screen Level:</b>	+3°~3°

<b>Screen Qty:</b>	1						
<b>Max. Mounting Hole:</b>	800x400						
<b>VESA Compatible:</b>	<table border="1"> <tr> <td>200x200</td> <td>300x300</td> <td>400x200</td> </tr> <tr> <td>400x400</td> <td>600x400</td> <td>800x400</td> </tr> </table>	200x200	300x300	400x200	400x400	600x400	800x400
200x200	300x300	400x200					
400x400	600x400	800x400					
<b>Weight Capacity:</b>	45kg						
<b>Profile:</b>	68~215mm (2.7"~8.5")						
<b>Installation:</b>	Solid Wall						
<b>Cable Management:</b>	No						
<b>Anti-theft:</b>	Yes						

# Arkin AR-Clean150



## Arkin Screen Cleaning Kit 150ml, Polar Fleece Cloth Included

Introducing the Arkin AR-CLEAN150 2-in-1 Screen Cleaning Kit: Your Ultimate Screen Care Solution!

Keep your screens crystal clear and looking their best with our all-in-one screen cleaning kit. The AR-CLEAN150 is a must-have for anyone who values the quality of their visual displays, from TVs, Digital Signage to laptops, smartphones and even eyeglasses.



### Features

- **High-Quality Cleaning:** We take screen cleanliness seriously. That's why we've created this kit to ensure you experience the highest quality cleaning performance.
- **Alcohol and Ammonia-Free Gel:** Our specially formulated cleaning gel is alcohol and ammonia-free, guaranteeing a gentle yet effective clean without any risk of harming your screens or causing discoloration of bezels.
- **Universal Screen Care:** Whether it's your big-screen TV, your trusty laptop, your smartphone, or your stylish glass furniture and eyeglasses, this kit is designed to cater to all your screen cleaning needs.
- **Microfiber Cloth:** We know how annoying lint can be when cleaning screens. That's why we've included a premium microfiber cloth that not only cleans with precision but also leaves your screens lint-free and looking pristine.

Order your AR-CLEAN150 kit today and experience screen cleanliness like never before. Elevate your viewing experience and say goodbye to dirt, smudges, and distracting streaks. Your screens deserve the best, and the AR-CLEAN150 delivers just that!

### Specification

- **Product Category:** Screen Cleaner
- **Detergent Volume:** 150ml
- **Cloth Material:** Double-sided Cloth
- **Cloth Size:** 170 x 170mm
- **Cloth Quantity:** 1 pc
- **Application:** TV, Monitor, Laptop, Tablet, Phone, Eyeglasses

ARKIN

**For customer support please contact**

1300 089 967

[www.arkin.com.au](http://www.arkin.com.au)